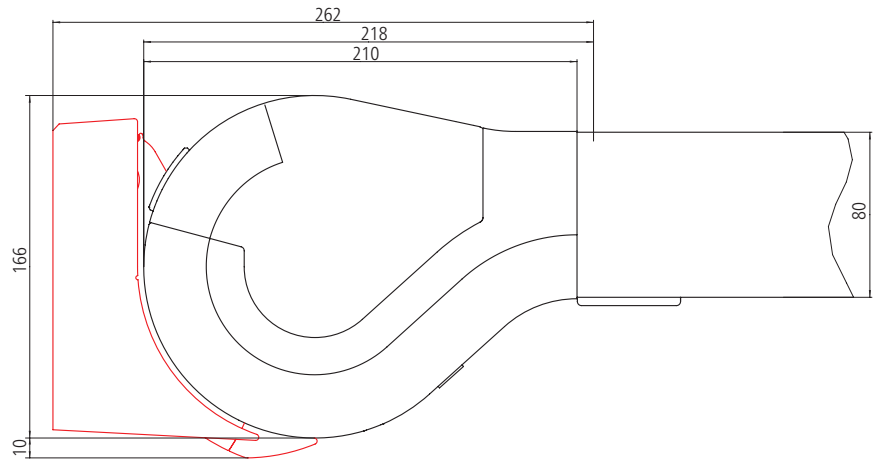


# Plaza Viva Installation

## Wall mounting



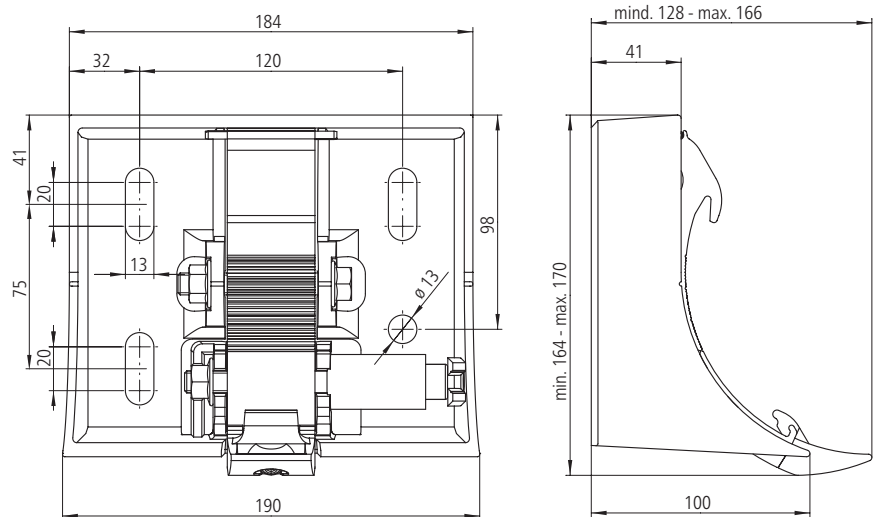
Wall bracket



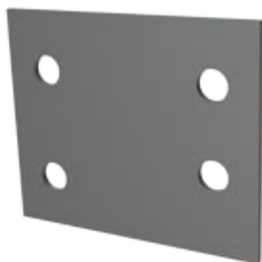
02



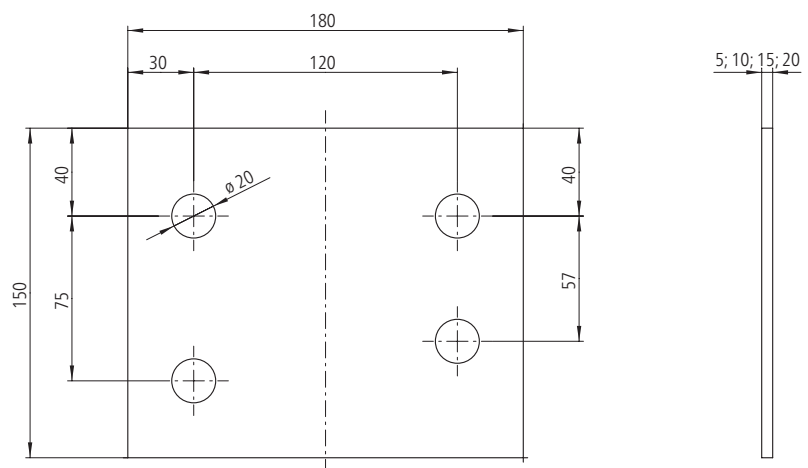
Wall bracket (fixed view)



Wall bracket (floating view)



Wall bracket base plate



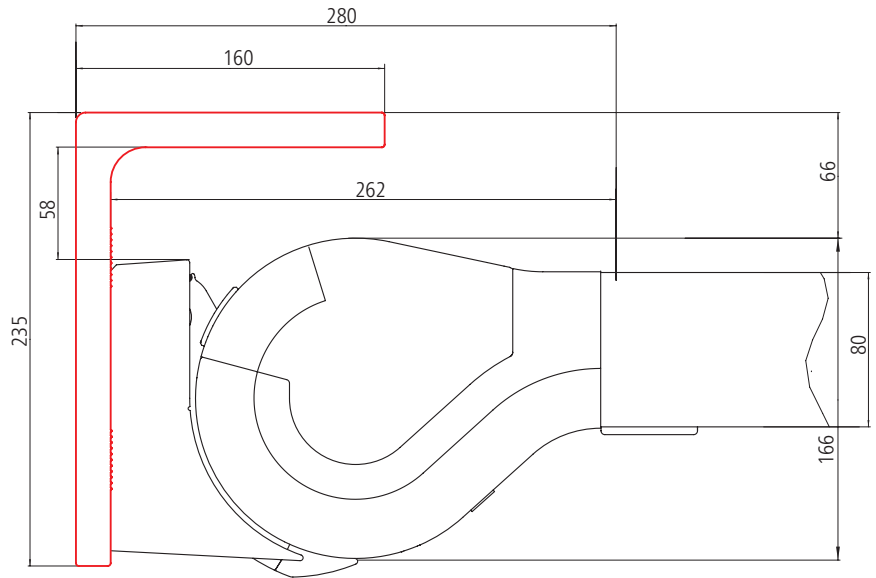
Ceiling mounting



235 x 160 x 18 x 180 mm roof mounting with angle bracket, complete



235 x 160 x 18 x 180 mm angle bracket, complete (roof mounting)



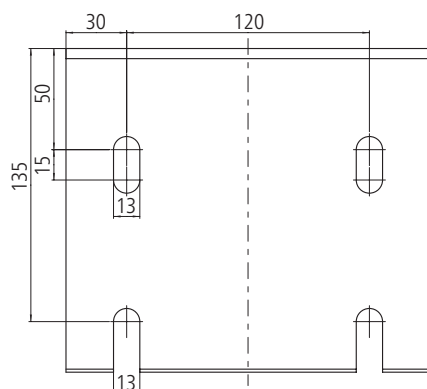
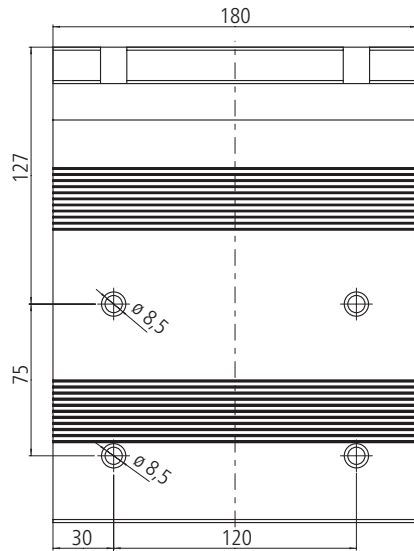
Ceiling angle



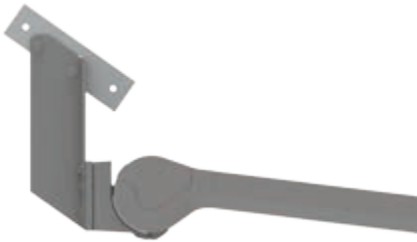
Possible use on roof



Front and rear installation option for ceiling bracket



Rafter mounting



Rafter bracket



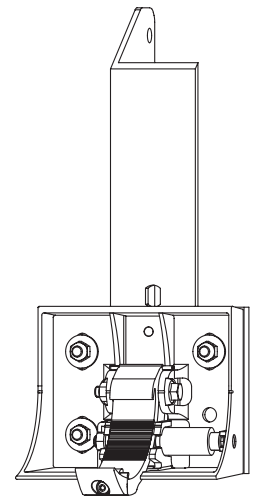
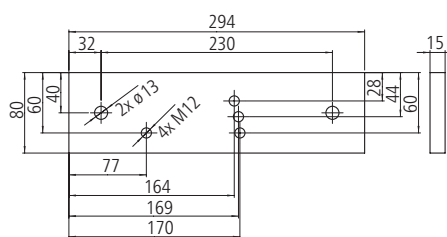
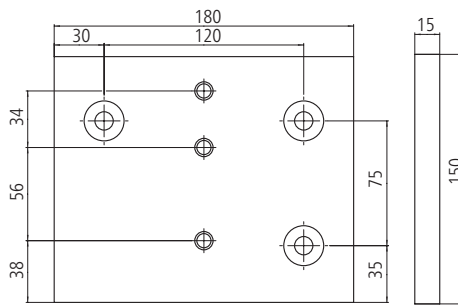
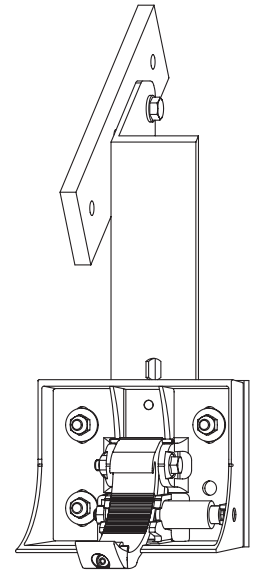
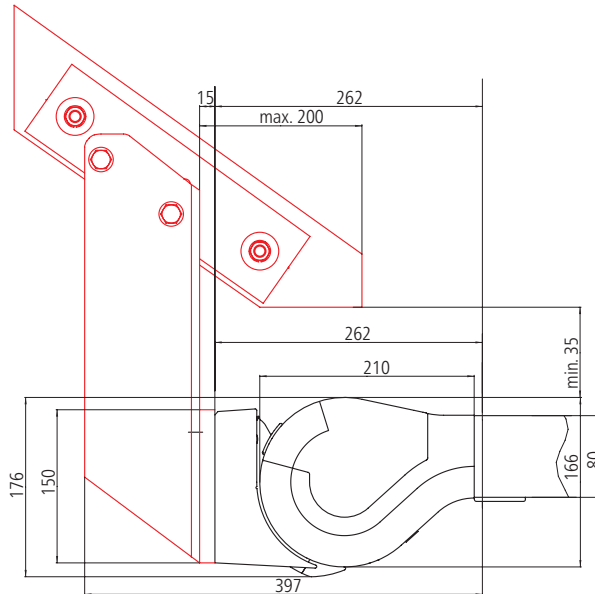
Rafter bracket with mounting plate and wall bracket



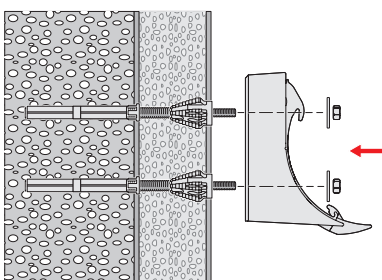
Adaptor plate for rafter bracket  
180 x 150 x 15 mm



Mounting plate for rafter bracket  
294 x 80 x 15 mm



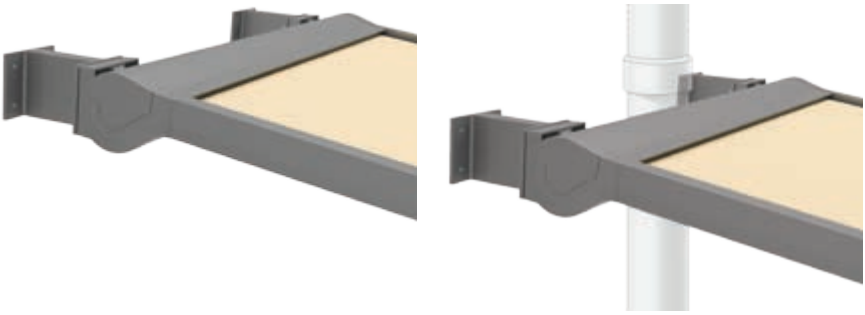
Installation on insulated facades using Fischer Thermax 12/16



The Thermax 12/16 stand-off installation system from Fischer is suitable for insulated facades as it allows for secure fixing.

# Plaza Viva Installation

## Installation with stand off bracket (special bracket)

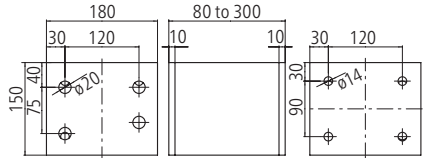


80 to 300 mm gaps can be bridged using the stand off bracket.

Plaza Viva with stand off bracket, e.g. to overcome a soil pipe

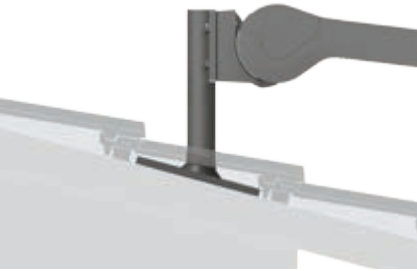


Stand off bracket



Stand off bracket with wall bracket

## Installation on roof using a stilt (special bracket)

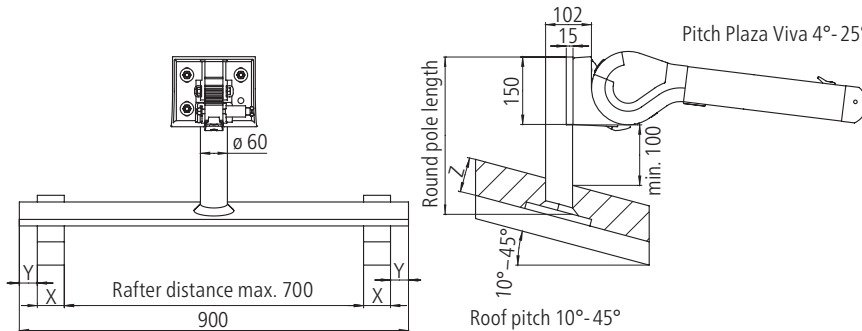


Use of stilt

This special bracket is used for example under roof tiles. The longer plate is mounted under the roof tiles and sealed again on site. This mounting holes are drilled on site after determining the position. Please note: We need the house roof angle and length of the round pole (stilt) to install the stilt.

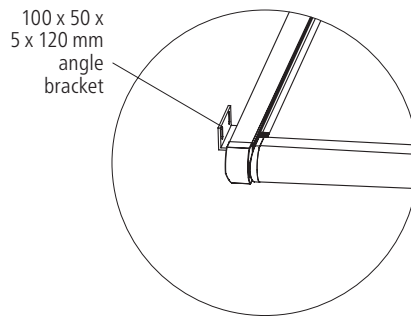
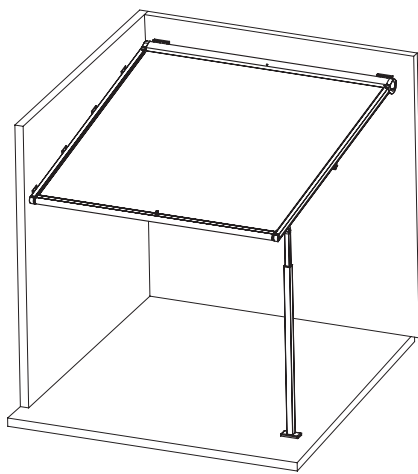


Three-piece special bracket (mounting plate, stilt, wall bracket)



Use for installation on a roof  
 X = rafter thickness  
 Y = stilt adjustment range =  $(900 - \text{rafter distance} - 2x)/2$   
 Z = height of roof structure (tiles etc. ...)

## Installation of Plaza Viva laterally on a wall or in a niche



The Plaza Viva can also be mounted on a lateral wall, niche or next to a Terrazza using the 100 x 50 x 5 x 120 mm wall-mount angle bracket.



100 x 50 x 5 x 120 mm wall-mount angle bracket

